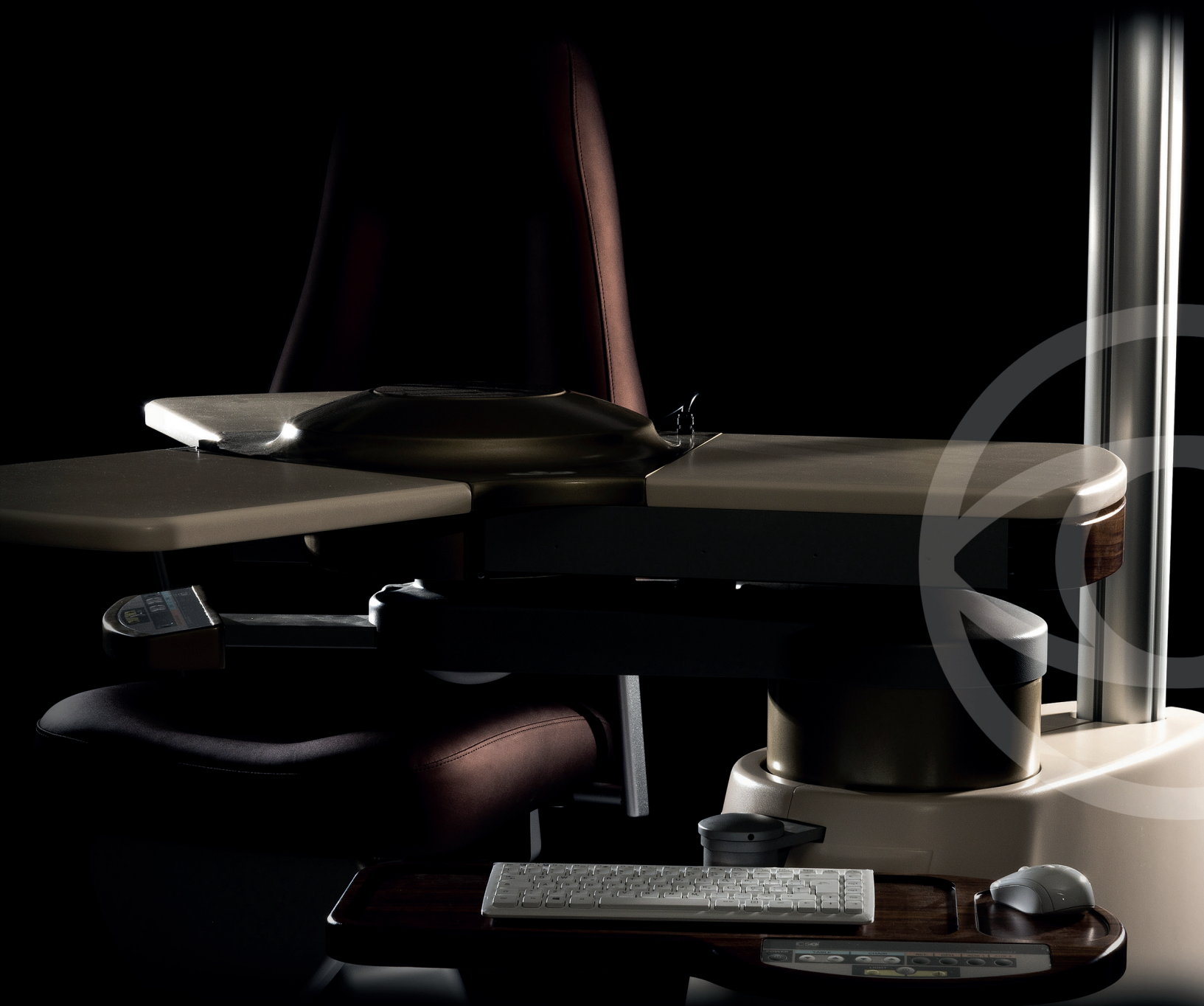


Refraction unit

OPHTHALMIC UNITS





C.S.O. was established in 1967 as ophthalmological devices producer and soon becomes a world leader company for the production of a wide range of ophthalmological products.

The refraction units by C.S.O. are born at the beginning of the 90s to gather several ophthalmic devices in one solution characterized by harmonious lines, compact, ergonomic and long-lasting structure,

The C.S.O. refraction units are characterized by their practicality compatible with a wide range of devices for the modern ophthalmological diagnostic and they provide a pleasant daily working experience.

Thanks to an attentive selection of the materials used for the construction and a wide range of available colors and customizations, it is possible to realize a harmonious and comfortable working environment for the user and the patient.



Thank you for choosing C.S.O. as your supplier.



OPHTHALMIC UNIT
Elegance



REFRACTION UNIT

ELEGANCE it is a modern support station for 2 instruments fully compatible with a wide range of ophthalmic devices. The refraction unit is equipped with a practical and ergonomic command console which allows the optimal use of the instrumentation and gives the possibility to memorize all the working functions of the device for a fast and comfortable use. As the whole range of CSO ophthalmic units, ELEGANCE can be completely customized with a wide choice of colors.



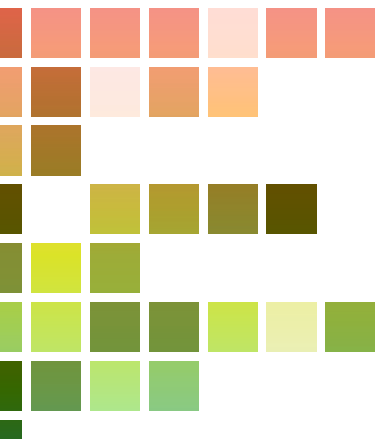
Eye charts projector support



Remote control compartment



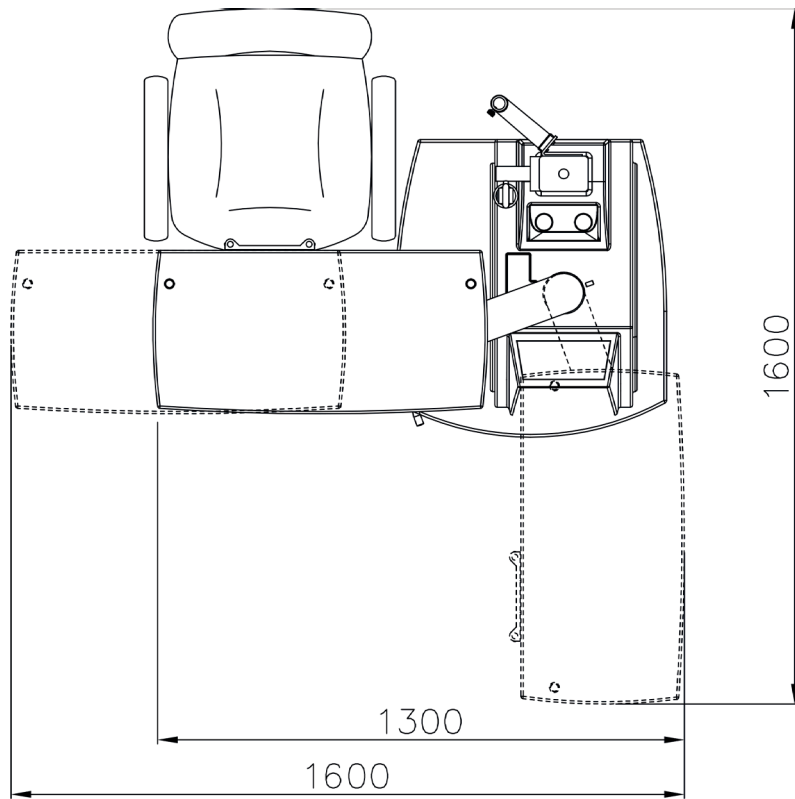
Commands console



Ceiling light with three light sources suitable for every unit
with:
- LED light with adjustable intensity
- with light spot
- upper ambient LED light
(optional)

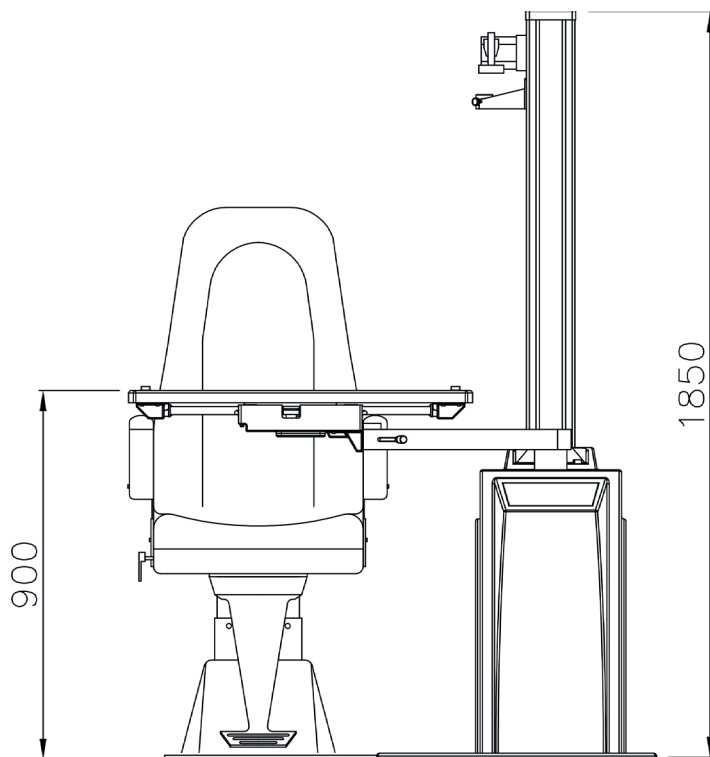


- Phoropter support
(optional)



STANDARD EQUIPMENT

- Central structure with command console
- Column with adjustable LED spotlight with variable intensity
- Eye charts projector support
- Plane with manual movement, 2 positions
- Retinoscope/ophthalmoscope compartment



ACCESSORIES (OPTIONAL)

- Chair with electronic height adjustment
- Self-balancing arm for phoropter + support
- Ceiling light with 3 LED lights
- Movable LED spotlight
- Arrangement video system
- LCD monitor support
- Plane for auto refractometer
- Plane for column monitor
- Desk
- Drawers
- Version with opening on the left
- Special supports for chin rest

ELECTRICAL DATA	Version 230V	version 120V
Supply voltage	230 Vac ±10%	120 Vac ±10%
Power frequency	50Hz	60Hz
Network fuses	4A T 5x20mm	8A T 5x20mm
Auxiliary sockets (chair and devices)	230Vac 50Hz	120Vac 60Hz
Max power absorbed by the auxiliary sockets	100 VA	100 VA
Max power absorbed by the unit:	600 VA	600 VA
Voltage for the table instruments	6Vac or 12Vac Ophthalmometer Slit Lamp 6Vac or 12Vac Fixation point of the Chin rest	

Accessories



Phorofter arm
cod. 100805-02

Plate for projector (not CSO)
cod. 100805-05



Movable spotlight
cod. 100811550

Plane for column monitor
cod. 100805-03



Ophthalmic headband support
cod. 100805-21



CD monitor support
100805-24

Phorofter support for square section column
cod. 100805-10



Lamp with 3 LED lights
cod. 100819510



**Support for column
retinoscope/ophthalmometer**
cod. 10080518



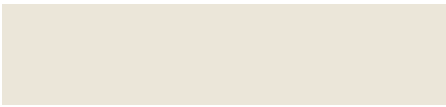
COLORS*

They make the difference and give personality to the studio furniture.

COLORS LACQUERED - optional

		
cod. 107	cod. 132	cod. 135
		
cod. 156	cod. 162	cod. 223
		
cod. 218	cod. 208	cod. 187
		
cod. 757/296-D	cod. 182	cod. 131
		
cod. 118	cod. 120	cod. 130
		
cod. 228	cod. 236	cod. 849
		
cod. 945/C	cod. 244	cod. 259

LACQUED COLORS - standard

		
cod. 757/296-E	cod. 889/F	cod. 857/C

* The colors are just approximate.

Intensity color variations can be caused by the chemicals reactions of the used matters.

The specifications and the images are not contractually binding and can be modified without notice.



YOUR PROFESSIONAL PARTNER SINCE 1967



Via degli Stagnacci 12/E
50018 - Scandicci - FI - Italy
tel +39 055 72219 | fax +39 055 7215557
email. cso@csoitalia.it | web. www.csoitalia.it

